

Silverlink 600 Salamander Grill

Key Features

- Type: Electric
- Simmerstat temperature control
- Five shelf positions
- Supplied with crumb tray and toast rack



GR3

Construction

- Body: stainless steel grade 430
- Liner: stainless steel
- Toast rack and shelf supports: chrome plated steel
- Element: Incoloy

Available Options

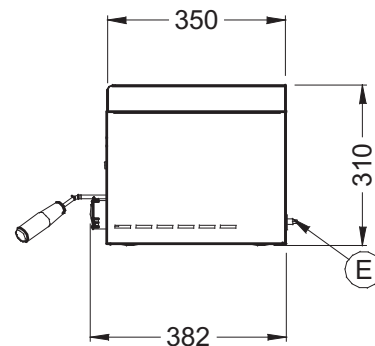
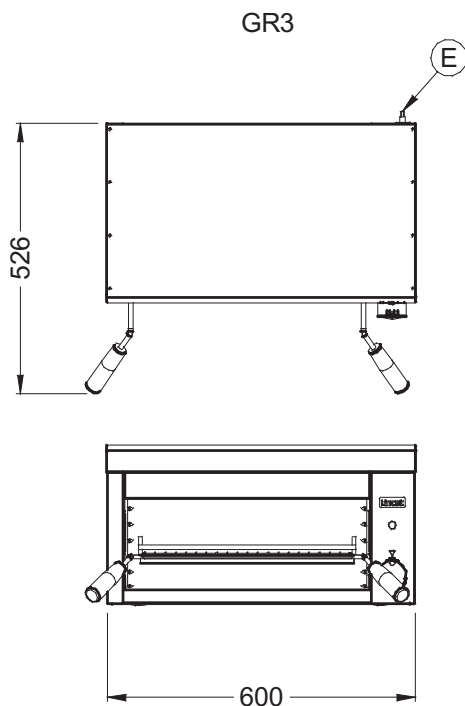
- N/A

Available Accessories

- HT6/SB - Shelf / Splash back
- BR15 - Wall brackets
- ABP03 - Branding plate and drip tray
- GR3/BS - Bench stand
- GR3/FS - Floor stand
- GR3/WS - Wall shelf

Specifications

Model	GR3
External height (mm)	310
External width (mm)	600
External depth (mm)	382
External depth including handles (mm)	526
Max internal height (mm)	176
Max internal width (mm)	478
Max internal depth (mm)	307
Toasting rack dimensions (mm) W x D	410 x 230
Net weight unpacked (kg)	18.8
Gross weight packed (kg)	23
Shipping volume (m ³)	0.214
Total power rating (kW)	2.8
Electrical supply 1N [~] +E 230V 50-60Hz Current Rating (A)	12



Lincat Limited, Whisby
Road,
Lincoln LN6 3QZ,
United Kingdom

UK Sales Tel: 01522 875500 UK Spares Tel: 01522 875510 UK General Tel: 01522 875555
UK Fax: 01522 875530 International Sales Tel: +44 1522 503250 International Fax: +44 1522 875530
Website: www.lincat.co.uk UK Sales e-mail: sales@lincat.co.uk International Sales e-mail:
export@lincat.co.uk



Document ref:
SUNKELECGR3
Issue date: Feb-17