

HX-30H/40H, HX-30DH/40DH

DOUGH ROLLING MACHINE

USER & MAINTENANCE MANUAL

WARRANTY CERTIFICATE

SERIAL NUMBER:

SALE DATE:

Sold at the above date **HX- DOUGH ROLLING MACHINE** is guaranteed against production failures for Year by manufacturer.

Warranty Terms;

- Warranty terms start after the product delivery for year.
- Recommended daily working time is 10 hours. The scope of warranty is assessed by year or by working hours.
- The product is under warranty except plastic rollers (included plastic rollers if it is a manufacturing defect).
- Documents are invalid, if haven't sale date and confirm signature of company. You have to show the warranty certificate to benefit from the warranty.
- Device is guaranteed against defects if mount and use as described in the use and maintenance manual.
- Detection the location of defects, and elimination of the problems are responsibilities of the manufacturer.
- Warranty terms include only one device. You can't claim any rights or compensation for another device.
- If Changes are made at the type, model and serial numbers, the warranty eliminates.
- If material, worker or assembly defects appear, repaired free by manufacturer at the product warranty period (Transportation cost is not included).
- Failures are only repaired by manufacturer personal. The intervention of unauthorized person cancel the appliance of warranty.
- Installation have to be done by manufacturer personal. If usage place changes, customer must give information to manufacturer
- In the event of failure service must be informed.
- The failures and damages given by external factors are out of the warranty terms.
- Any failure of the product warranty period is added to the product warranty time. The repair time is until 20 working days.

AUTHORIZED PERSON

STAMP –SIGNATURE

PRESENTATION

- Please read the manual carefully before installing the machine.
- The machine will be out of warranty when you operate the machine without reading it.
- Please read carefully the manual that gives you information on the installation as prepared in accordance with the legal regulations before arriving at the machine installation.
- For information you cannot understand, ask your nearest authorized service.
- Please note that if the technical service personnel is kept waiting you will be billed for each hour.

CONTENTS

WARRANTY CERTIFICATE

PRESANTATION

SECTION 1: INTRODUCTION

- 1.1 General Introduction of Dough Rolling Machine Model: HX-30H/40H, HX-30DH/40DH
- 1.2 Technical Specifications Table
- 1.3 Safety Warnings Labels

SECTION 2: INTRODUCTION OF MACHINE BODY COMPONENTS

- 2.1 Body Components

SECTION 3: INSTRUCTIONS FOR USE

- 3.1 Usage Recommendations
- 3.2 Safety Warnings
- 3.3 Operating and Starting Instructions
- 3.4 Operation On Optional Pedal Models

SECTION 4: MAINTENANCE

- 4.1 Exterior Body Maintenance
- 4.2 Scraping Knife Maintenance

SECTION 5: MACHINE SPARE PARTS MANUAL

SECTION 6: ROLLER PROTECTION SHEET ASSEMBLY

SECTION 7: ELECTRICAL DIAGRAM

- 7.1 HX-30H/40H, HX-30DH/40DH Electrical Diagram
- 7.2 HX-30H/40H Pedal, HX-30DH/40DH Flat Pedal Electrical Diagram

SECTION 1: INTRODUCTION

1.1 General Introduction of Dough Rolling Machine HX-30H /30DH, HX-40H/40DH :

Uses at lahmacun, pizza and other dough rolling processes. Dough thickness and diameter get easy with roller gap adjustment system. Dough rolling process perform in min. 3, max. 5 seconds with fast and easy using feature.

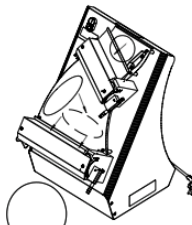
1.2 Technical Specifications Table:

Technical Specifications Table	HX-30H	HX-30DH	HX-40H	HX-40DH
Machine Length (cm)	44	44	43	43
Machine Width (cm)	42	42	53	53
Machine Height (cm)	62	66	74	77
Machine Weight (Kg)	31,8	31,8	39	39
Engine Power (kW)	0.37	0.37	0.37	0.37
Electrical Connection (V-HZ)	230 1N – 50/60	230 1N – 50/60	230 1N – 50/60	230 1N- 50/60
Dough Weight (gr)	80-210	80-210	80-500	80-500
Dough Diameter (cm)	19-29	19-29	26-40	26-40
Roller Range (mm)	0-4,1	0-4,1	0-4,1	0-4,1
Hourly Production Quantity	720-1200	720-1200	720-1200	720-1200

1.3 Safety Warnings Labels:

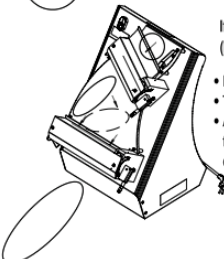
LABELS

USAGE RECOMMENDATIONS




If you want opening the circular dough is being (Lahmacun, Pizza dough, etc.);

- Bring with hand dough is round.
- This dough roller upper range entry after from
- As shown in Figure central runners on conversion from pulp and output - after the parallel group.



If you want opening the dough is being elips (Pide, Lavash dough, etc.);

- Bring with hand dough is round.
- This dough roller upper range entry after from
- As shown in Figure central runners on conversion from pulp and 45° degree parallel group as after departure.



WARNING!
DO NOT CLEAN THE MACHINE WHILE WORKING

PATENT NO: 2014 04908

CAUTION!
CLEANING INSTRUCTIONS

- Do not put foreign materials between working machine rollers.
- Do not wash the machine with wet cloth and clean water, when electrical line is connected.
- Do not clean the machine, when it is working.
- Always check the cooling fan is running on the machine.
- Two monthly, open the back cover of the machine after removing the plug and clean inside of the machine by a pain brush or vacuum cleaner.
- At the end of business, remove the roller scraper blades and clean by wet cloth or sponge. Do not hit hard objects and protect against bending.



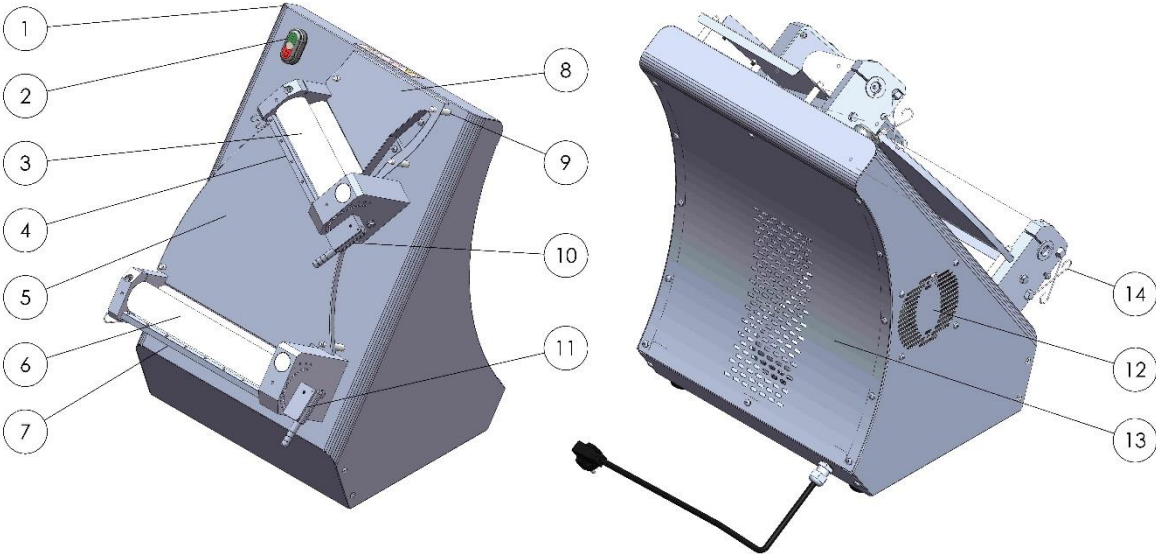


ATTENTION!

- CUT ELECTRIC CURRENT BEFORE OPENING PROTECTION SYSTEM
- DO NOT CLEAR WHEN MACHINE IS WORKING

SECTION 2: INTRODUCTION OF MACHINE BODY COMPONENTS

2.1 Body Components:



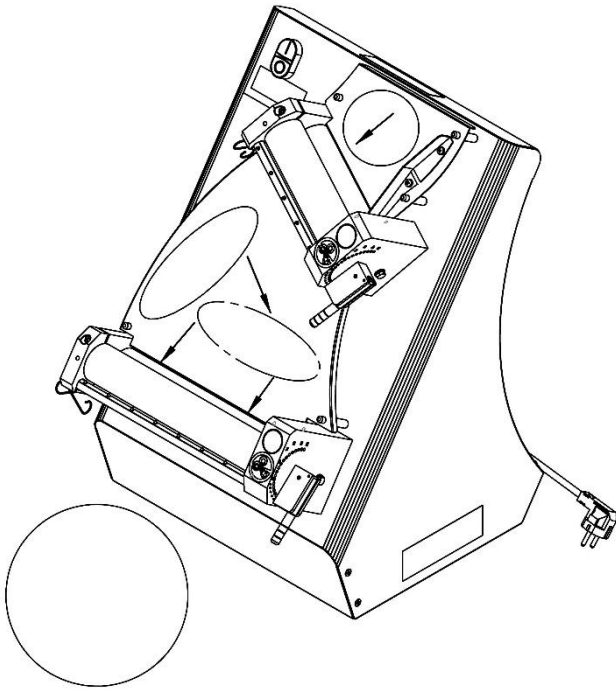
PART DESCRIPTION			
FRONT VIEW		BACK VIEW	
1	BODY	8	TOP ROAD SHEET
2	START/STOP SWITCH	9	SHEET HOLDER PIN
3	TOP ROLLER GROUP	10	TOP ROLLER RANGE ADJUSTMENT HANDLE
4	TOP ROLLER SCRAPERS	11	UNDER ROLLER RANGE ADJUSTMENT HANDLE
5	MIDDLE ROAD SHEET	12	VENTILATION FAN
6	BOTTOM ROLER GROUP	13	BACK COVER
7	BOTTOM ROLER SCRAPERS	14	ROLLER SCRAPERS WIRE

SECTION 3: INSTRUCTIONS FOR USE

3.1 Usage Recommendations:

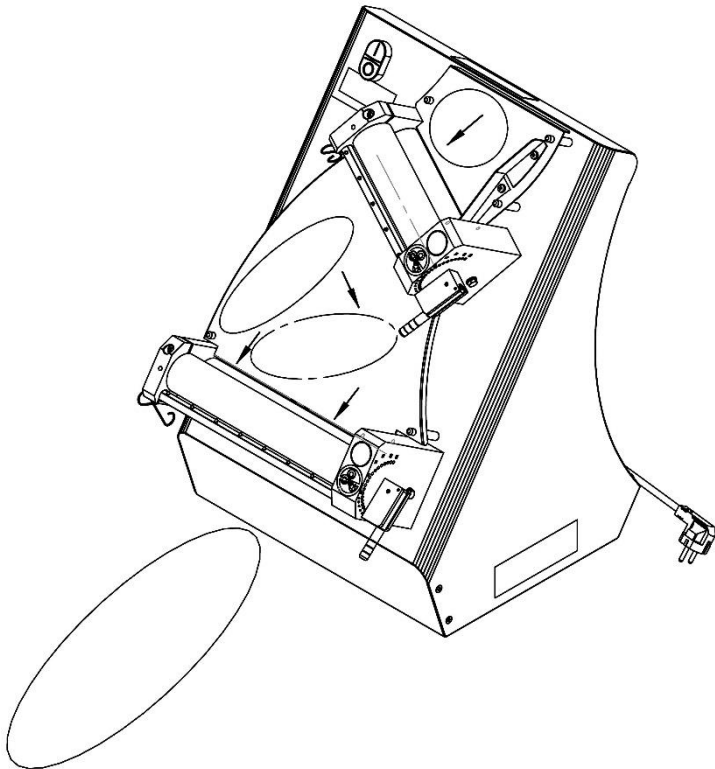
For Rolling Circular Dough (Lahmacun Dough Etc.);

- Compress the dough and make it circular.
- Pass through the dough to the upper roller gap.
- Rotate the dough (shown in figure) then pass through the dough in parallel to the bottom roller gap.



For Rolling Ellipse Dough (Pide Dough);

- Compress the dough and make it circular.
- Pass through the dough to the upper roller gap.
- Rotate the dough (shown in figure) then pass through the dough in 45° to the bottom roller gap.



3.2 Safety Warnings:

1. Secure voltage is between 230 V and 240 V
2. Set up on a straight floor.
3. Single phase on operating.
4. Don't wipe the machine with a wet cloth when connect to plug.
5. Cut electric current before opening protection system.
6. Check the air intake of the cooling fan daily.

3.3 Operating and Starting Instructions:

1. Connect to monophase electrical supply.
2. Push the "1" button.
3. Adjust the roller space shown in picture. (This procedure adjusts the dough thickness and diameter)



Adjust the dough thickness from "0" to "20" shown in figure.

- Pull the adjustment handle and rotate the handle to "+" or "-" direction.
- Rotate the handle to "+" direction for enlarge the dough thickness. Rotate the handle to "-" direction for reduce the dough thickness.
- Push the adjustment handle when the intended roller gap adjusted.

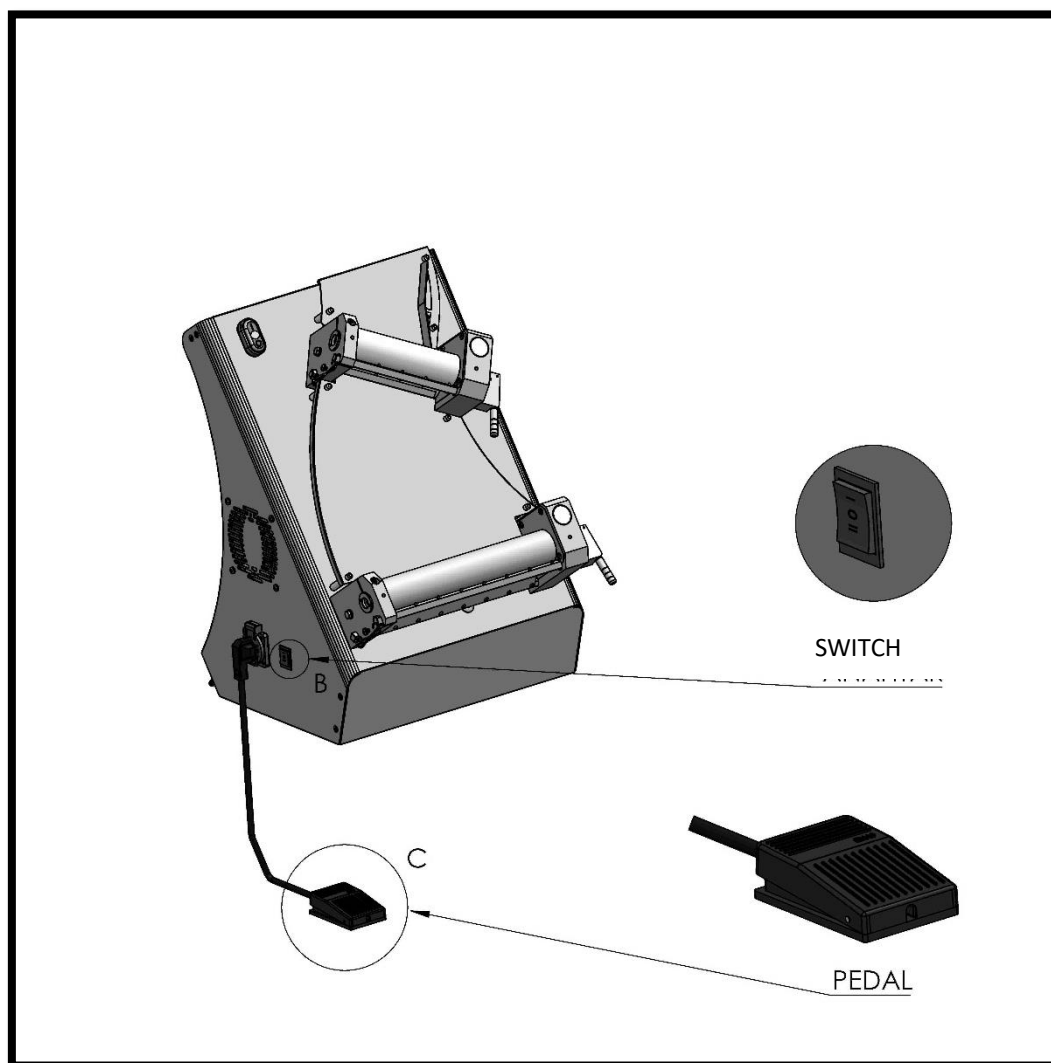
NOTE = Entrance roller gap advice to be bigger than the exit roller gap.

DESIRED PRODUCT	UPPER	BOTTOM
LAHMACUN		
PİDE		
PİZZA		
NAIL PİDE		
TORTILLA BREAD		
BOREK DOUGH		

NOTE: Write down the values of the input and output (upper and lower) roller adjustment lever which are specified by the user in the table.

NOTE: For roller scrapers to work properly, scraper springs need to be stretched.

3.4 Operation On Optional Pedal Models:



- Plug in the Pedal.
- If you turn switch as “0”, the rolling machine doesn’t work.
- If you turn switch as “1”, you can control the machine with the 0-1 switch at the top of Rolling machine.
- If you turn switch as “1” you can control the machine with the pedal. If you press the pedal once, machine works, if you press again machine stops.
- If you don’t want to use pedal unplug the pedal and turn switch as “1” position.

SECTION 4: MAINTENANCE

4.1 Exterior Body Maintenance:



Pull up the entrance and central sheets shown in picture then clean the flour and crumbs. Stop the machine and unplug the electrical supply then clean with wet cloth. Don't plug the electrical supply before the machine dry.

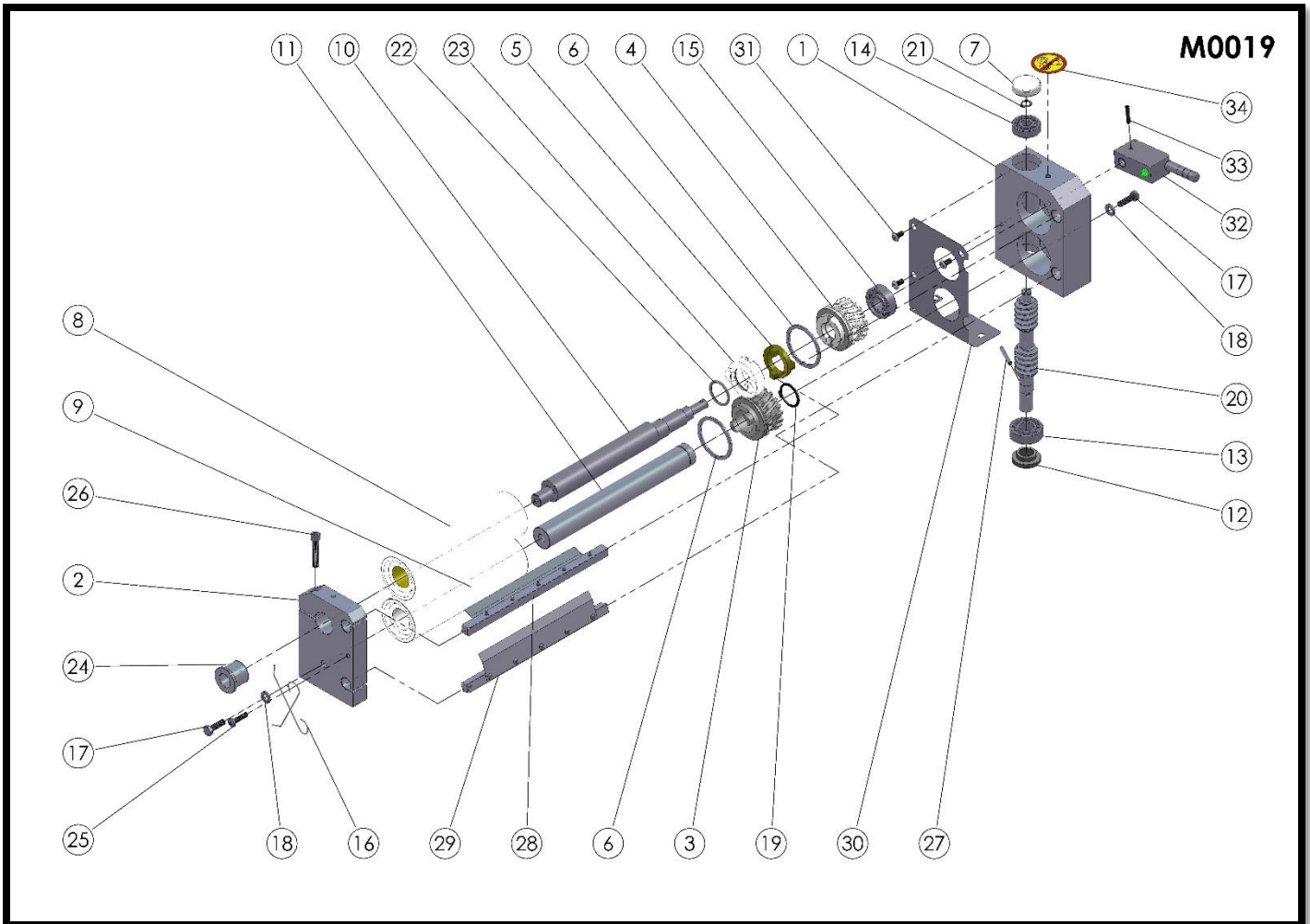
NOTE: The pins on the road sheet are inserted into their slots on the body and assembled. Pins must be free.

4.2 Scrapers Maintenance:



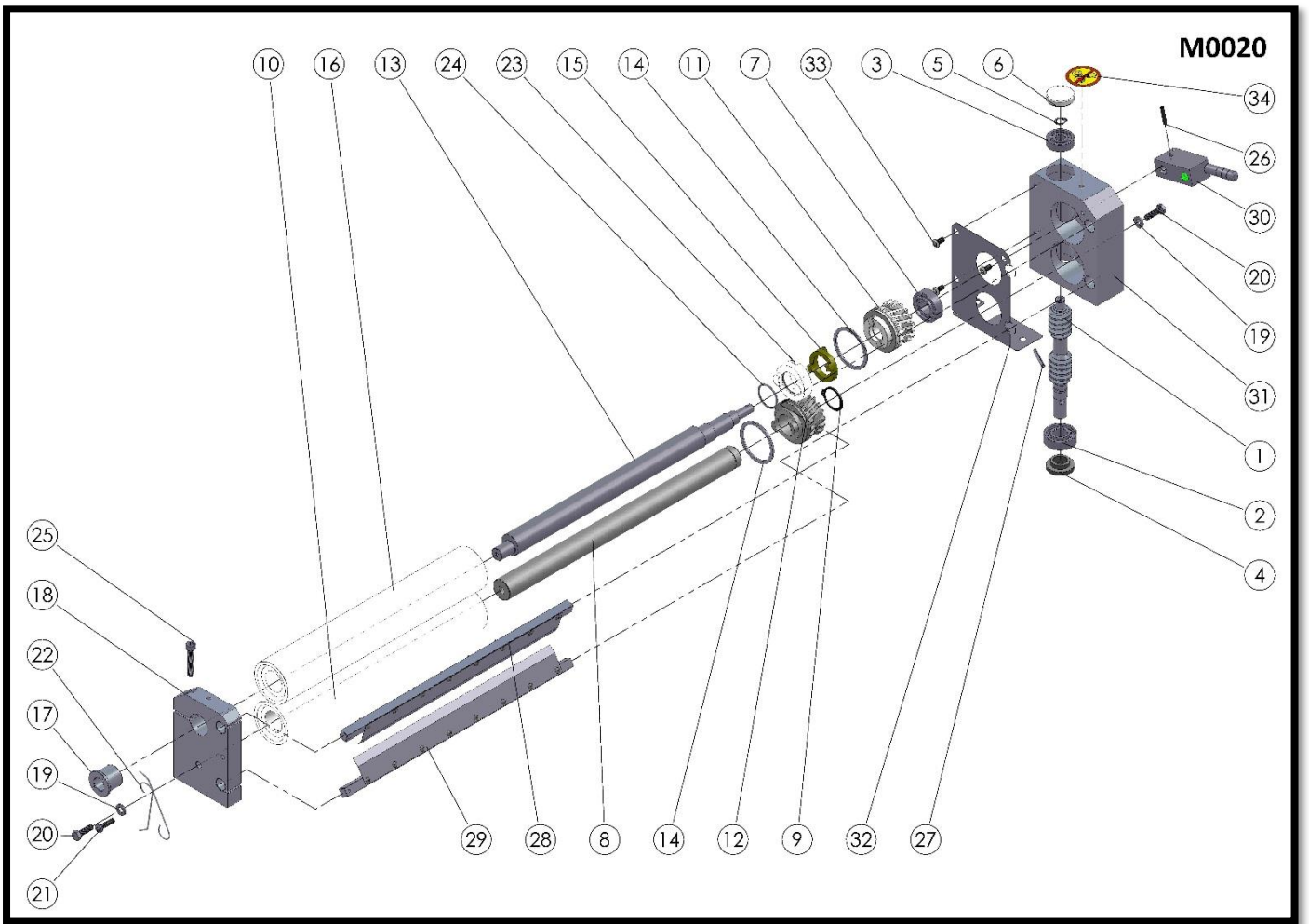
- Push up scrapers wire as shown in the figure
- Remove the scrapers from the hole as shown in the figure and clean the scrapers daily.

SECTION 5: MACHINE SPARE PARTS MANUAL



HX-30H/HX-30DH M0019 (TOP ROLLER GROUP) SPARE PARTS LIST

ITEM NO.	SPARE PART NUMBER	DESCRIPTION OF THE SPARE PART	UNIT	ITEM NO.	SPARE PART NUMBER	DESCRIPTION OF THE SPARE PART	UNIT
1	00372	GEAR BOX	1	18	00050	WASHER	2
2	00001	ROLLER BEARING	1	19	00089	RING	1
3	00338	GEAR	1	20	00011	WORM	1
4	00007	GEAR	1	21	00027	RING	1
5	00010	CLUTCH	1	22	00092	O-RING	1
6	00009	RING	2	23	00088	CLUTCH	1
7	00013	COVER	1	24	00086	ADJUST THIMBLE	1
8	00014	ROLLER	1	25	00047	BOLT	1
9	00015	ROLLER	1	26	00054	BOLT	1
10	00018	SHAFT	1	27	00096	PIN	1
11	00019	SHAFT	1	28	00333M	ROLLER SCRAPERS (TOP)	1
12	00022	THIMBLE	1	29	00334M	ROLLER SCRAPERS (BOTTOM)	1
13	00024	BEARING	1	30	00385	ROLLER GUARD SHEET	1
14	00025	BEARING	1	31	00340	BOLT	3
15	00026	BEARING	1	32	00056M	ADJUST THIMBLE	1
16	00038	SPRING	2	33	00095	PIN	1
17	00041	BOLT	2	34	00037	LABEL	1

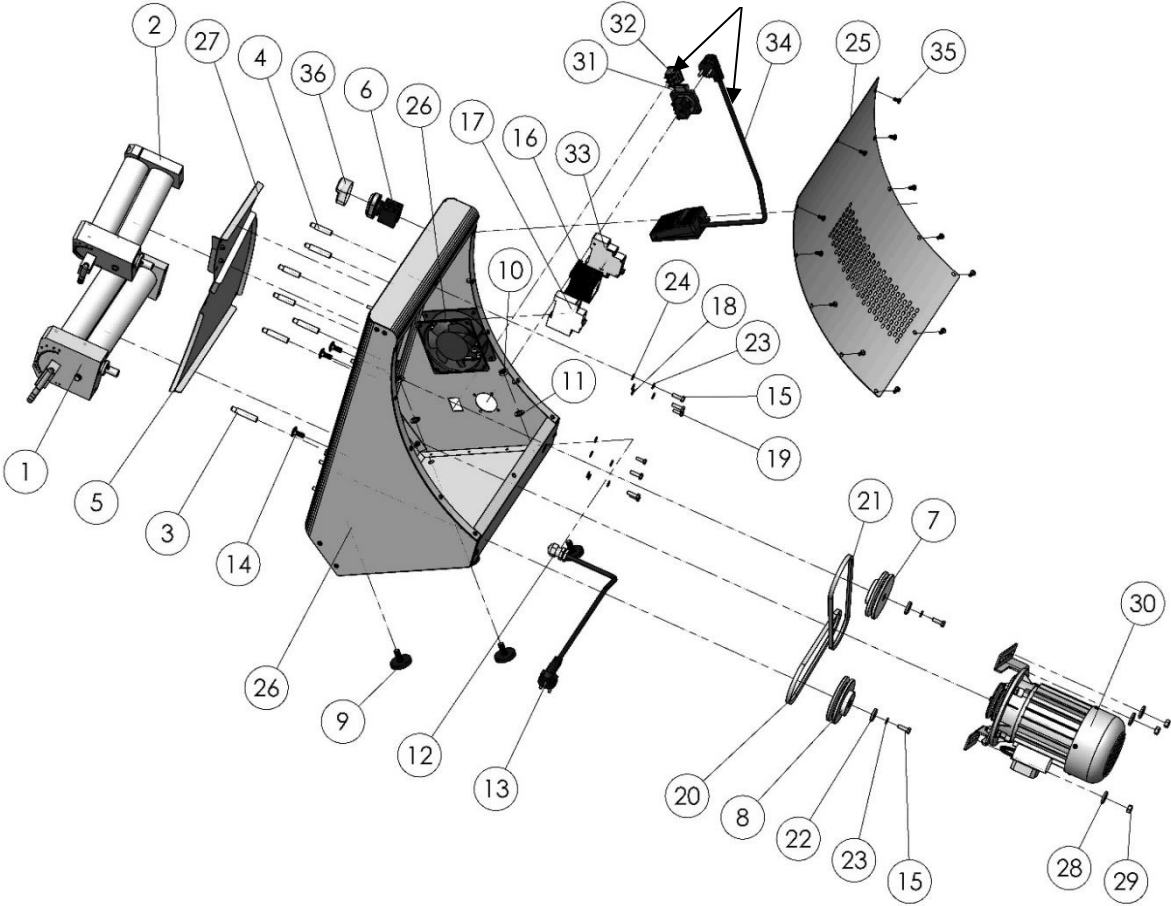


HX-30H/HX-30DH M0020 (BOTTOM ROLLER GROUP) SPARE PART LIST

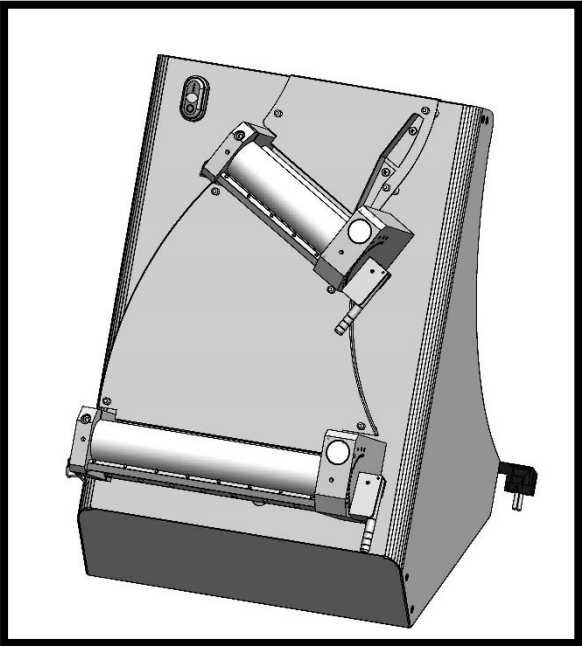
ITEM	SPARE PART NUMBER	DESCRIPTION OF THE SPARE PART	UNIT	ITEM	SPARE PART NUMBER	DESCRIPTION OF THE SPARE PART	UNIT
1	00011	WORM	1	18	00001	ROLLER BEARING	1
2	00024	BEARING	1	19	00050	WASHER	2
3	00025	BEARING	1	20	00041	BOLT	2
4	00022	THIMBLE	1	21	00047	BOLT	1
5	00027	RING	1	22	00038	SPRING	2
6	00013	COVER	1	23	00088	CLUTCH	1
7	00026	BEARING	1	24	00092	O-RING	1
8	00021	SHAFT	1	25	00054	BOLT	1
9	00089	RING	1	26	00095	PIN	1
10	00017	ROLLER	1	27	00096	PIN	1
11	00007	GEAR	1	28	00336M	ROLLER SCRAPERS (TOP)	1
12	00338	GEAR	1	29	00337M	ROLER SCRAPERS (BOTTOM)	1
13	00020	SHAFT	1	30	00056M	ADJUST LEVER	1
14	00009	RING	2	31	00372	GEAR BOX	1
15	00010	CLUTCH	1	32	00385	ROLLER GUARD SHEET	1
16	00016	RING	1	33	00340	BOLT	3
17	00086	ADJUST THIMBLE	1	34	00037	LABEL	1

HX-30H /HX-30DH BODY

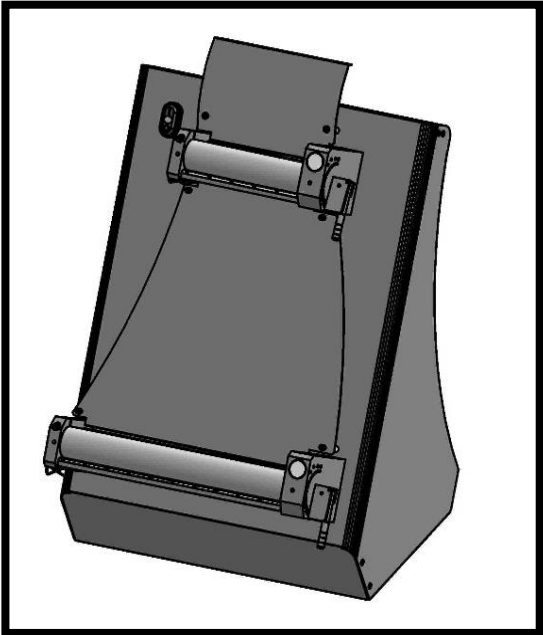
Optional



HX-30H



HX-30DH



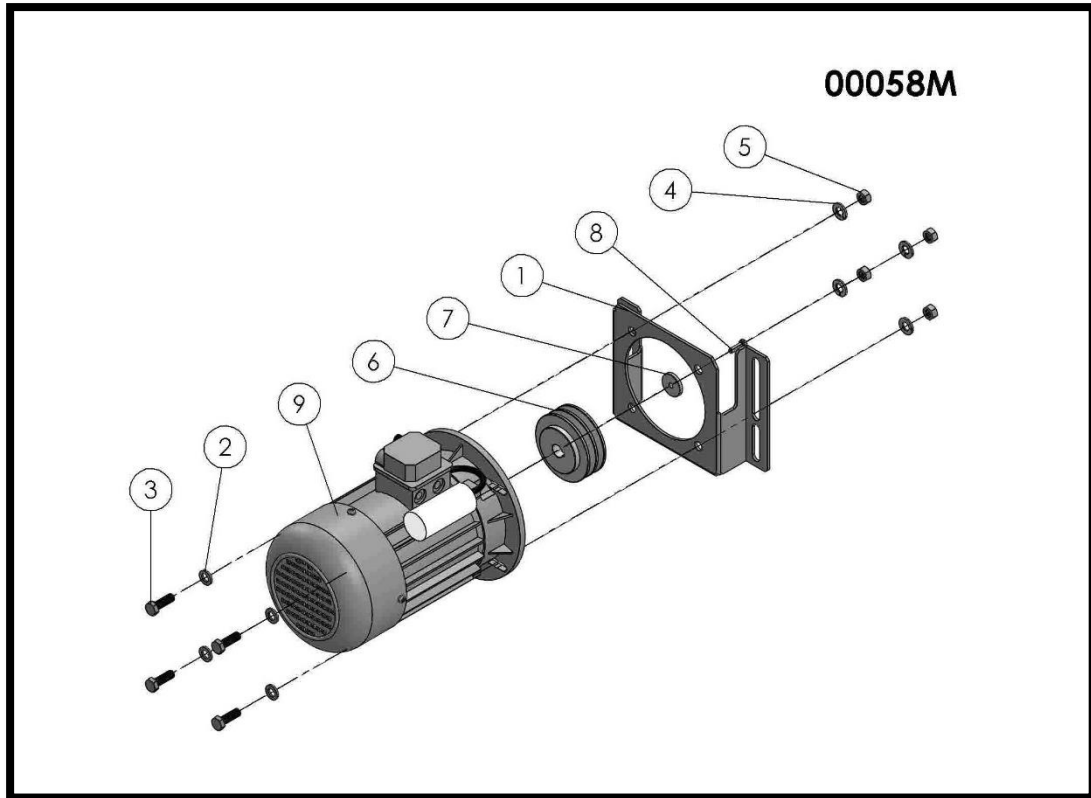
NOTE: Parts 31, 32, 33, 34 are optional on all models.

HX-30H /HX- 30DH BODY SPARE PART LIST

ITEM	SPARE PART NUMBER	DESCRIPTION OF THE SPARE PART	UNIT
1	M0020	BOTTOM ROLLER (COMPLETE)	1
2	M0019	TOP ROLLER (COMPLETE)	1
3	00132	MIDDLE ROAD SHEET PIN (LONG)	4
4	00133	TOP ROAD SHEET PIN (SHORT)	3
5	00345	MIDDLE ROAD SHEET	1
6	00365	ON / OFF SWITCH	1
7	00085	PULLEY	1
8	00005	PULLEY	1
9	00354	LEG	4
10	01965	NUT	4
11	01960	WASHER	4
12	00097	RECORD	1
13	00355	ELECTRIC CABLE	1
14	00476	BOLT	3
15	00041	BOLT	12
16	00056	CONAKTOR	1
17	00057	FUSE	1
18	00051	WASHER	7
19	00049	BOLT	7
20	00423	V BELT	1
21	00425	V BELT	1
22	00006	WASHER	2
23	00042	WASHER	12
24	00050	WASHER	10
25	00342	BACK COVER	1
26	00036M	BODY	1
27	00360M	TOP ROAD SHEET	1
28	01258	WASHER	3
29	01959	NUT	3
30	00058M	ENGINE	1
31	00357	SOCKET (OPTIONAL)	1
32	00369	IOII SWITCH (OPTIONAL)	1
33	00367	CIRCUIT BREAKER (OPTIONAL)	1
34	00034M	PEDAL (OPTIONAL)	1
35	00046	BOLT	14
36	00620	BUTTON CASE	1

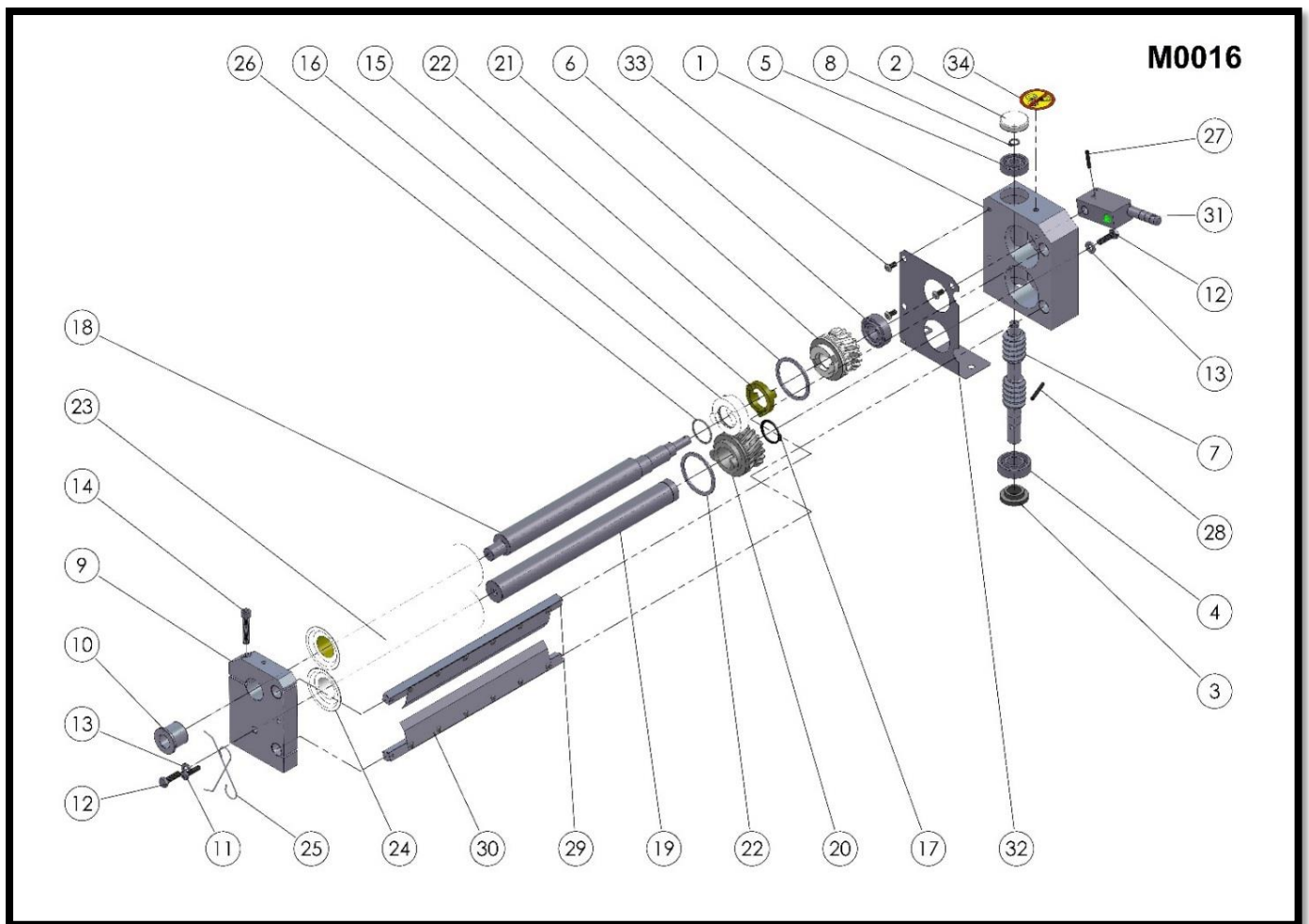
HX-30DH: The Different Parts

ITEM	SPARE PART NUMBER	DESCRIPTION OF THE SPARE PART	UNIT
5	00433	MIDDLE ROAD SHEET	1
21	00427	V BELT	1
26	00076M	BODY	1
27	00432	TOP ROAD SHEET	1



00058M SPARE PART LIST

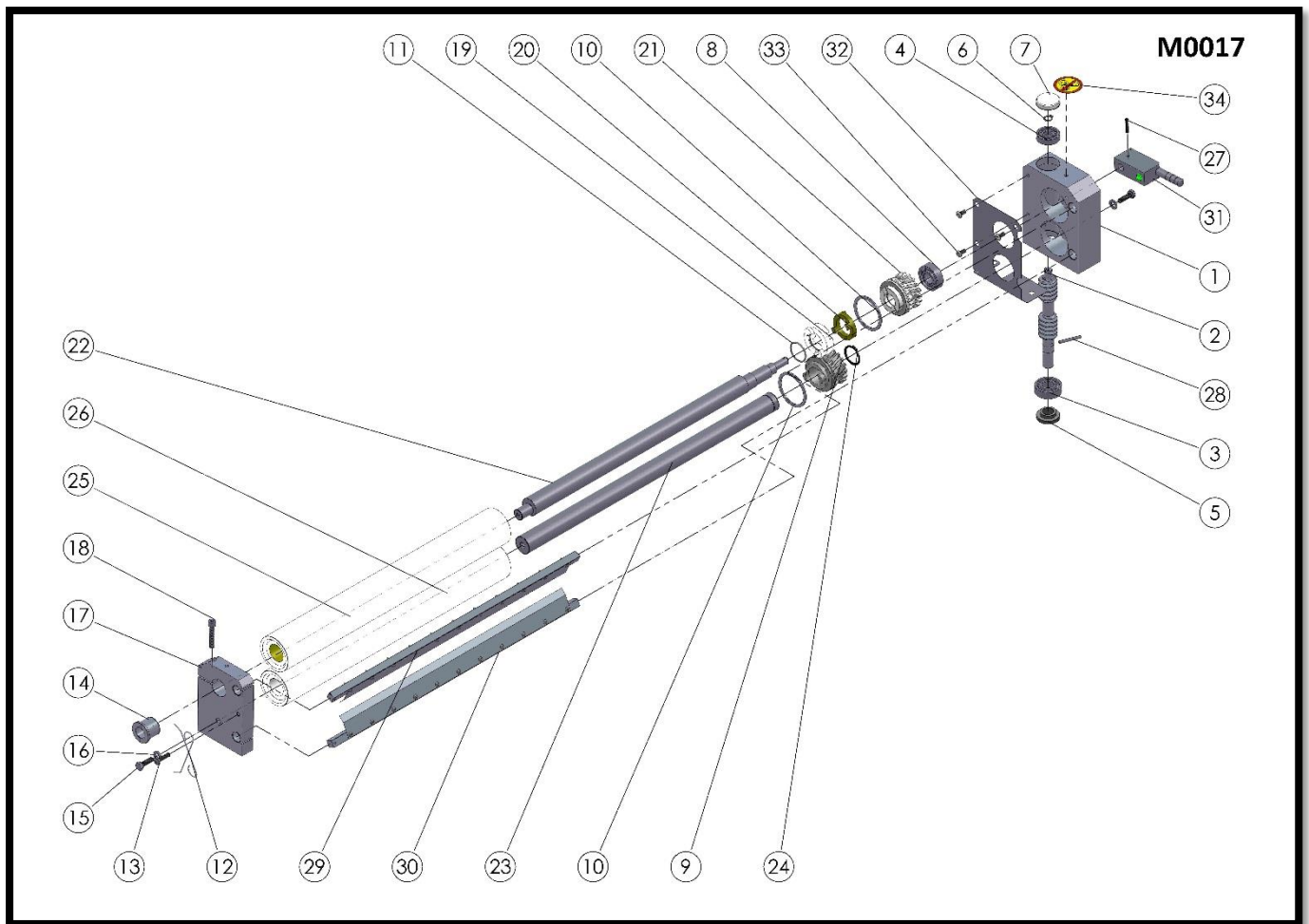
ITEM	SPARE PART NUMBER	DESCRIPTION OF THE SPARE PART	UNIT
1	00347	ENGINE SHEET	1
2	01963	WASHER	4
3	04072	BOLT	4
4	01961	WASHER	4
5	01959	NUT	4
6	00094	PULLEY	1
7	00098	PULLEY WASHER	1
8	00049	BOLT	1
9	00023	ENGINE	1



HX-40H/HX-40DH M0016 (TOP ROLLER COMPLETE) SPARE PART LIST

ITEM	SPARE PART NUMBER	DESCRIPTION OF THE SPARE PART	UNIT
1	00372	GEAR BOX	1
2	00013	COVER	1
3	00022	THIMBLE	1
4	00024	BEARING	1
5	00025	BEARING	1
6	00026	BEARING	1
7	00011	WORM	1
8	00027	RING	1
9	00001	ROLLER BEARING	1
10	00086	ADJUST THIMBLE	1
11	00047	BOLT	1
12	00041	BOLT	2
13	00050	WASHER	2
14	00054	BOLT	1
15	00010	CLUTCH	1
16	00088	CLUTCH	1
17	00089	RING	1

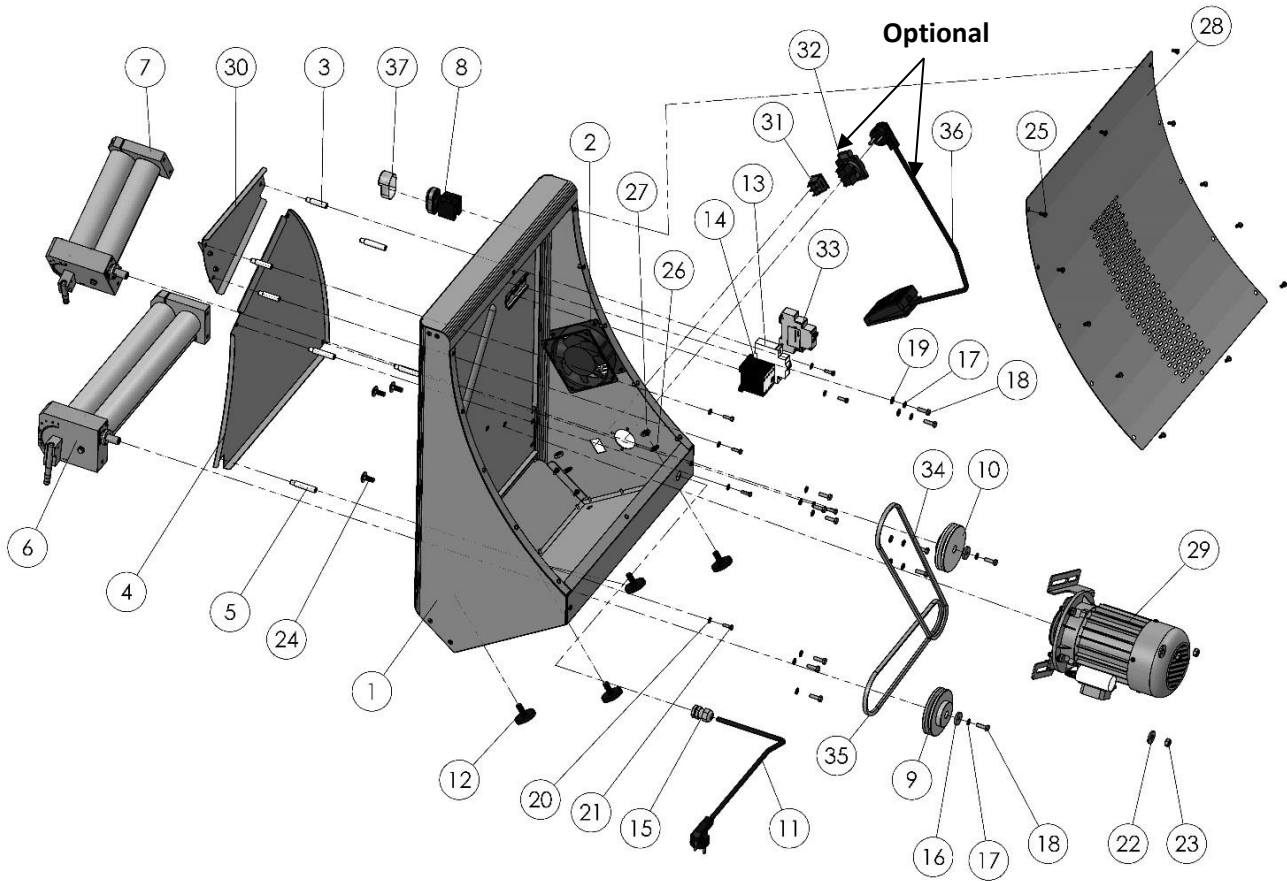
ITEM	SPARE PART	DESCRIPTION OF THE SPARE PART	UNIT
18	00103	SHAFT	1
19	00105	SHAFT	1
20	00338	GEAR	1
21	00007	GEAR	1
22	00009	RING	2
23	00134	ROLLER	1
24	00135	ROLLER	1
25	00038	SPRING	2
26	00092	O-RING	1
27	00095	PIN	1
28	00096	PIN	1
29	00339M	TOP ROLLER SCRAPERS (TOP)	1
30	00340M	TOP ROLLER SCRAPERS (BOTTOM)	1
31	00056M	ADJUST LEVER	1
32	00385	ROLLER GUARD SHEET	1
33	00340	BOLT	3
34	00037	LABEL	1



HX-40H/HX-40DH M0017 (BOTTOM ROLLER GROUP) SPARE PARTS LIST

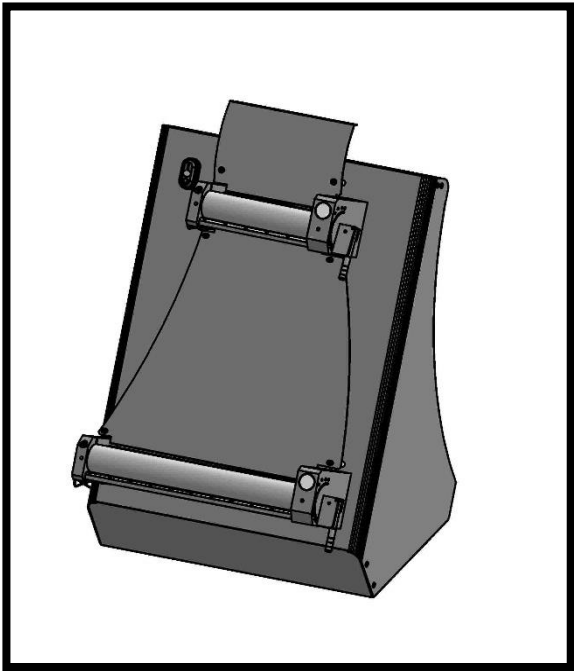
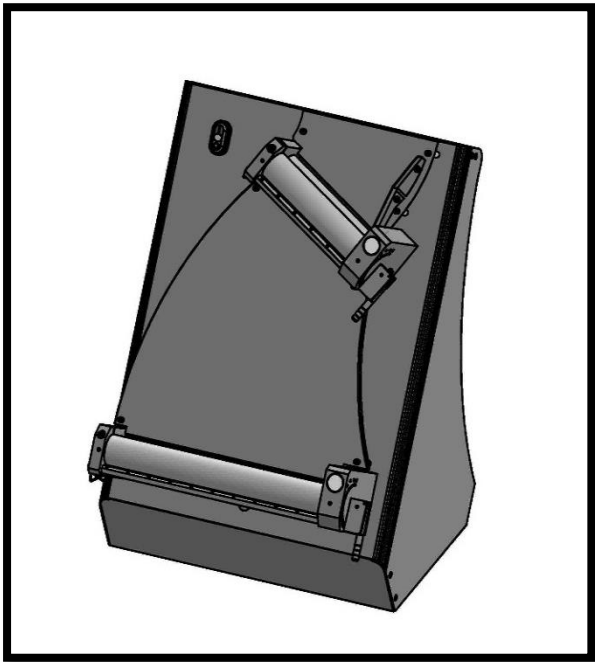
ITEM	SPARE PART NUMBER	DESCRIPTION OF THE SPARE PART	UNIT	ITEM	SPARE PART NUMBER	DESCRIPTION OF THE SPARE PART	UNIT
1	00372	GEAR BOX	1	18	00054	BOLT	1
2	00011	WORM	1	19	00088	CLUTCH	1
3	00024	BEARING	1	20	00010	CLUTCH	1
4	00025	BEARING	1	21	00007	GEAR	1
5	00022	THIMBLE	1	22	00102	SHAFT	1
6	00027	RING	1	23	00104	SHAFT	1
7	00013	COVER	1	24	00089	RING	1
8	00026	RING	1	25	00136	ROLLER	1
9	00338	GEAR	1	26	00137	ROLLER	1
10	00009	RING	2	27	00095	PIN	1
11	00092	O-RING	1	28	00096	PIN	1
12	00038	SPRING	2	29	00341M	BOTTOM ROLLER SCRAPERS (TOP)	1
13	00047	BOLT	1	30	00342M	BOTTOM ROLLER SCRAPERS (BOTTOM)	1
14	00086	ADJUST THIMBLE	1	31	00056M	ADJUST LEVER	1
15	00041	BOLT	2	32	00385	ROLLER GUARD SHEET	1
16	00050	WASHER	2	33	00340	BOLT	3
17	00001	ROLLER BEARING	1	34	00037	LABEL	1

HX-40H / HX-40DH BODY



HX-40H

HX-40DH



NOTE: Parts 31, 32, 33, 36 are optional on all models.

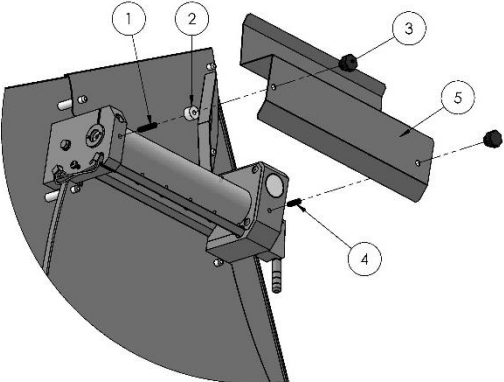
HX-40H/HX-40DH BODY SPARE PART LIST

ITEM	SPARE PART NUMBER	DESCRIPTION OF THE SPARE PART	UNIT
1	00063M	BODY	1
2	00059	FAN	1
3	00133	TOP ROAD SHEET PIN (SHORT)	3
4	00412	MIDDLE ROAD SHEET	1
5	00132	MIDDLE ROAD SHEET PIN (LONG)	4
6	M0017	BOTTOM ROLLER	1
7	M0016	TOP ROLLER	1
8	00365	ON / OFF SWITCH	1
9	00005	PULLEY	1
10	00085	PULLEY	1
11	00355	ELECTRIC CABLE	1
12	00354	LEG	4
13	00057	FUSE	1
14	00056	CONAKTOR	1
15	00097	RECORD	1
16	00006	WASHER	2
17	00042	WASHER	12
18	00041	BOLT	12
19	00050	WASHER	4
20	00051	WASHER	7
21	00049	BOLT	7
22	01258	WASHER	3
23	01959	NUT	3
24	00476	BOLT	3
25	00046	BOLT	14
26	01960	WASHER	4
27	01965	NUT	4
28	00362M	BACK COVER	1
29	00058M	ENGINE	1
30	00082M	BOTTOM ROAD SHEET	1
31	00369	IOII SWITCH (OPTIONAL)	1
32	00357	SOCKET (OPTIONAL)	1
33	00367	CIRCUIT BREAKER (OPTIONAL)	1
34	00428	V BELT	1
35	00424	V BELT	1
36	00034M	PEDAL (OPTIONAL)	1
37	00620	BUTTON CASE	1

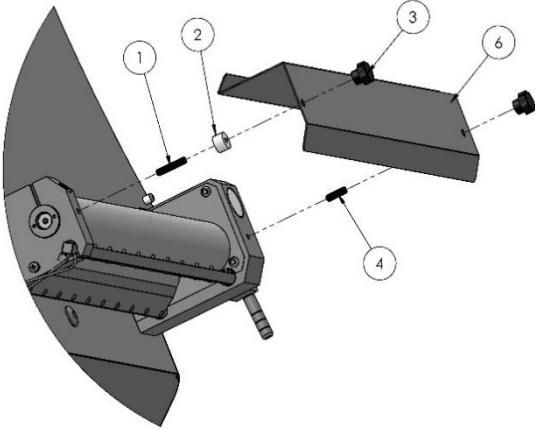
HX-40DH: The Different Parts

ITEM	SPARE PART NUMBER	DESCRIPTION OF THE SPARE PART	UNIT
1	00079M	BODY	1
4	00436	MIDDLE ROAD SHEET	1
30	000437	TOP ROAD SHEET	1
34	00439	V BELT	1
35	00422	V BELT	1

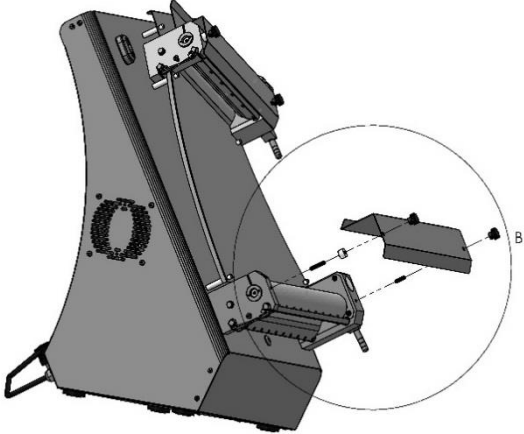
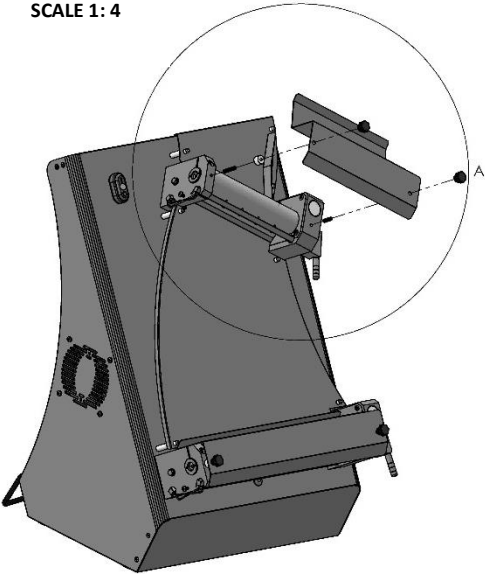
SECTION 6: ROLLER PROTECTION SHEET ASSEMBLY



DETAIL A
SCALE 1: 4



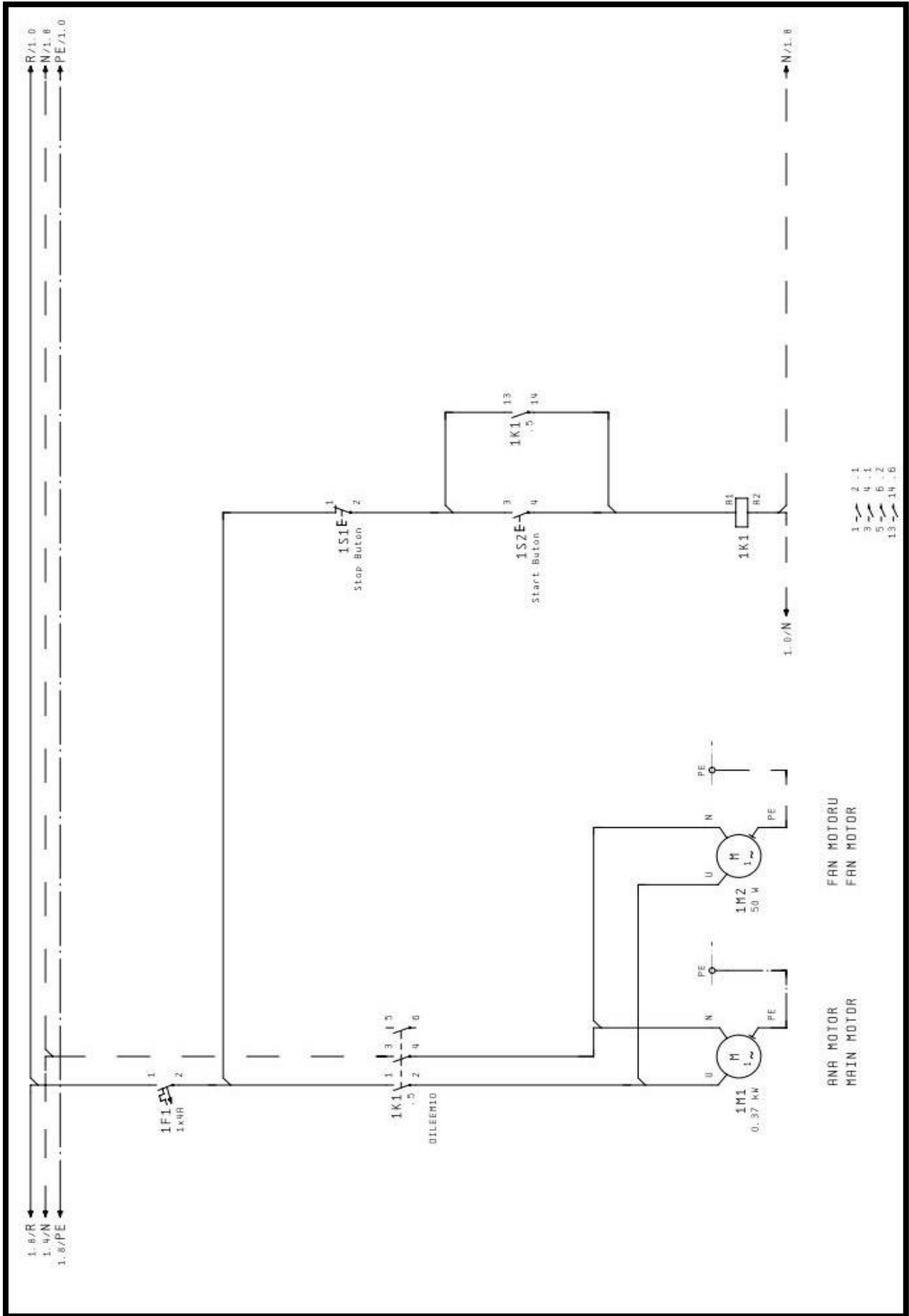
DETAIL B
SCALE 1: 3



PART DESCRIPTION	
1	STAY BOLT (LEFT)
2	GUARD SHEET THIMBLE
3	BOARDING HANDLE
4	STAY BOLT (RIGHT)
5	GUARD SHEET (TOP ROLLER)
6	GUARD SHEET (BOTTOM ROLLER)

SECTION 7: ELECTRICAL DIAGRAM

7.1 HX-30H/40H, HX- 30DH/40DH Electrical Diagram:



7.2 HX-30H/40H Pedal, HX-30DH/40DH Pedal Electrical Diagram:

