

Instruction Manual

Machine P/N: 1000862, 1000863, 1000868, 1000869, 2300268

# FRIIA

## Contents

1. Font Box Contents.....	2
2. Counter Cut-Out.....	3
3. Installation.....	4
No Drip Tray.....	4
Drip Tray.....	5
Connecting Hoses.....	6
5. Operating Font.....	7
4. Cleaning & Maintenance.....	8

## Font Box Contents

---

### 3 button font (247MM / 305mm height)

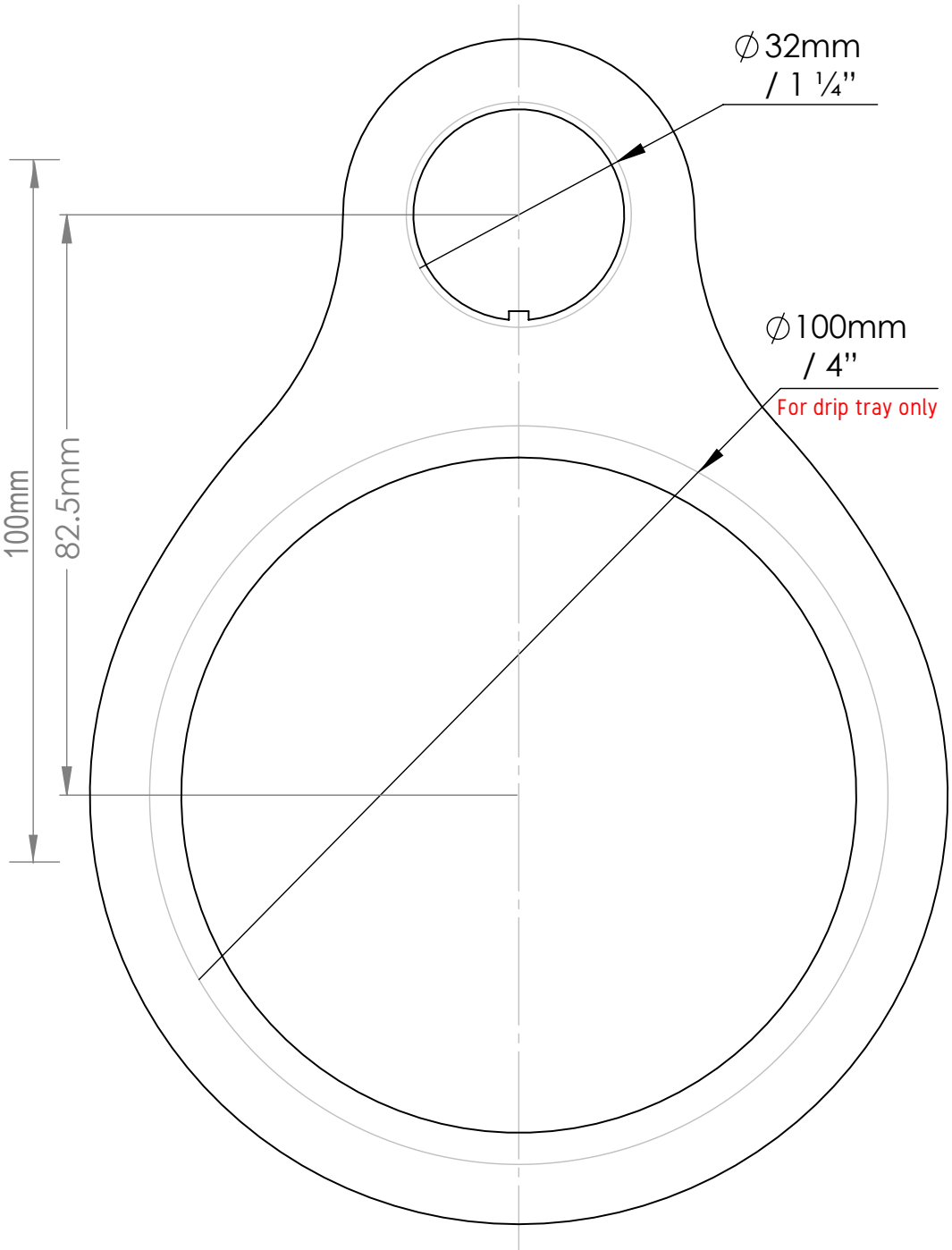
- FRIIA Font – 3 button HCS (247MM / 305mm height)
- Vent Tube FEP 6mm ID x 8mm OD x 500 (2301250)
- Hot Water Tube FEP 5/32” ID x 1/4” OD x 500mm (2301251)
- Cold Water Tube FEP 6mm ID x 8mm OD x 500mm (2301250)
- Instruction Manual FRIIA Font (1900049)

### 2 button font (247MM / 305mm height)

- FRIIA Font – 2 button HC / CS (247MM / 305mm height)
- Vent Tube FEP 6mm ID x 8mm OD x 500 (2301250)
- Hot Water Tube FEP 5/32” ID x 1/4” OD x 500mm (2301251)
- Cold Water Tube FEP 6mm ID x 8mm OD x 500mm (2301250)
- Instruction Manual FRIIA Font (1900049)

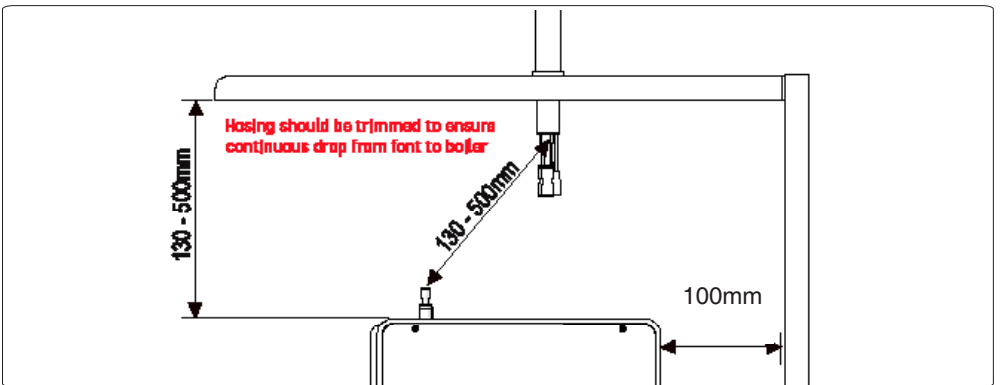
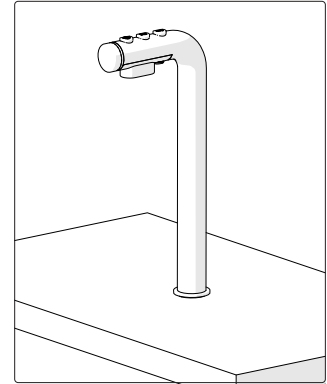
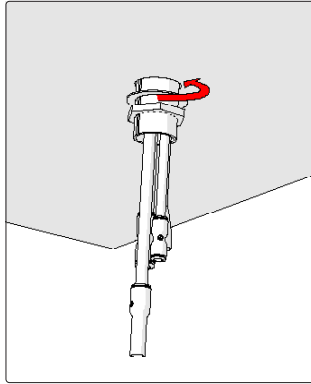
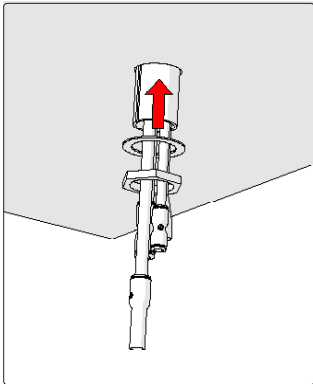
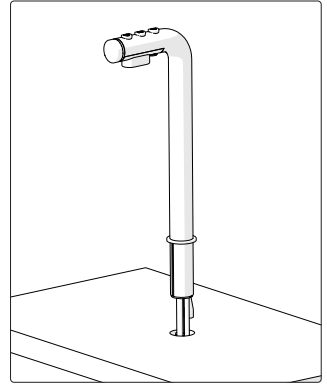
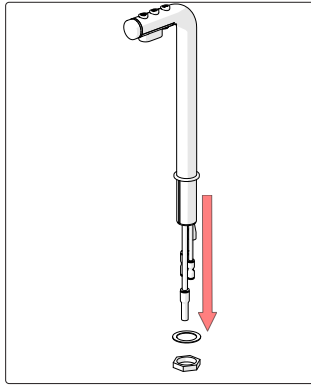
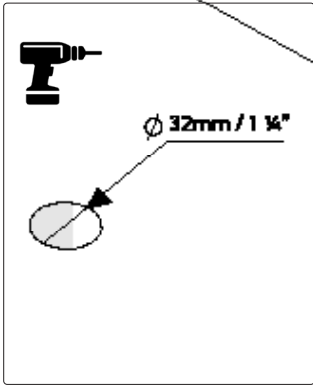
# Counter Cut Out

NOTE: Check scale of template before cutting. Scale should be 1:1



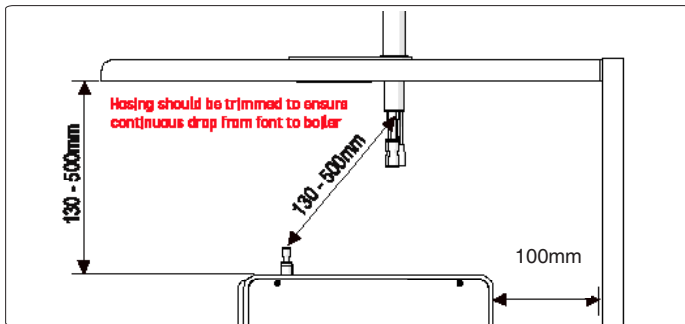
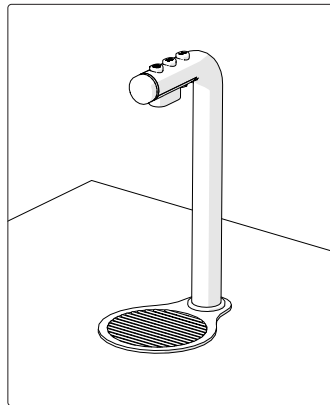
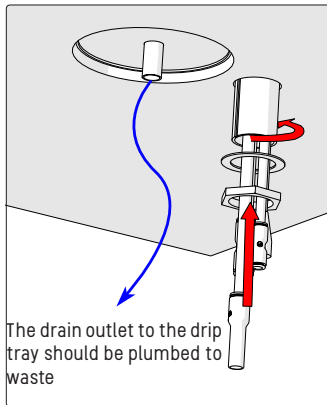
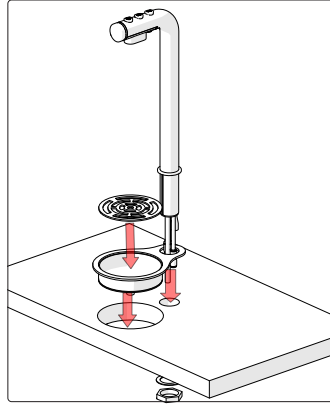
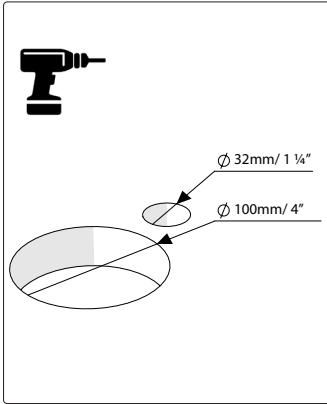
# Installation

## 1. No Drip Tray

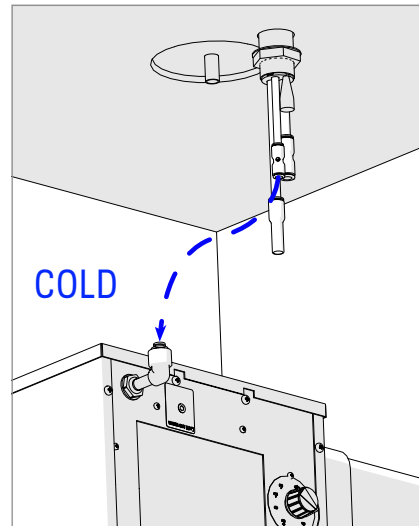
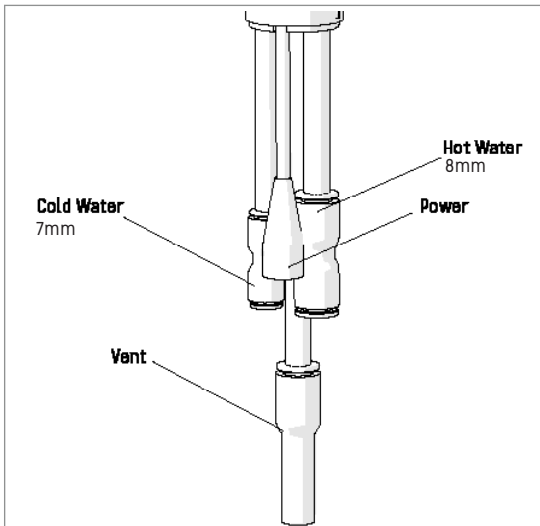
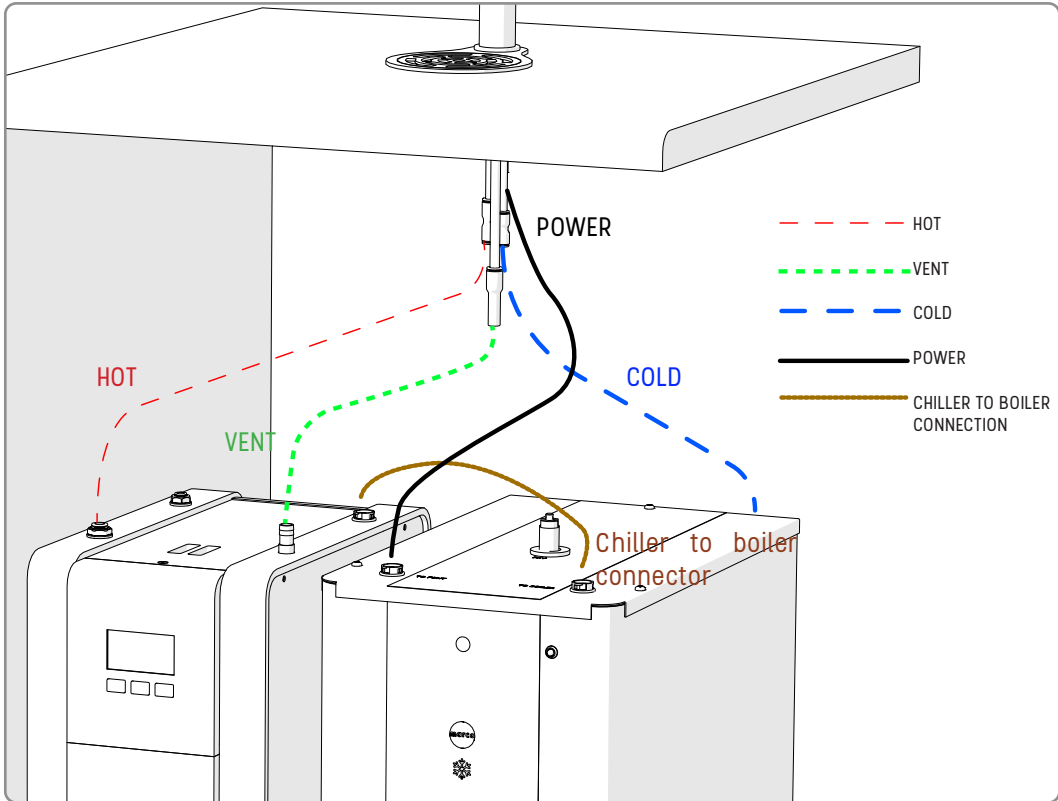


# Installation

## 2. Drip Tray (sold separately p/n. 2300268)

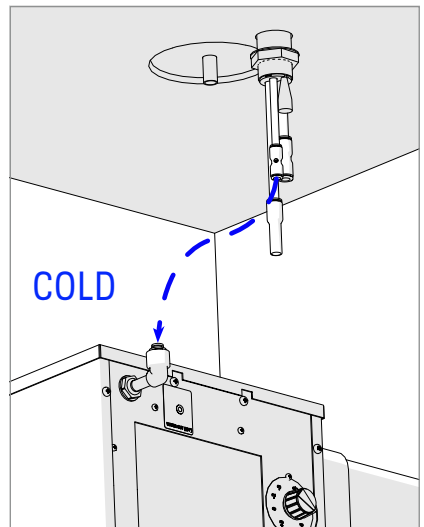
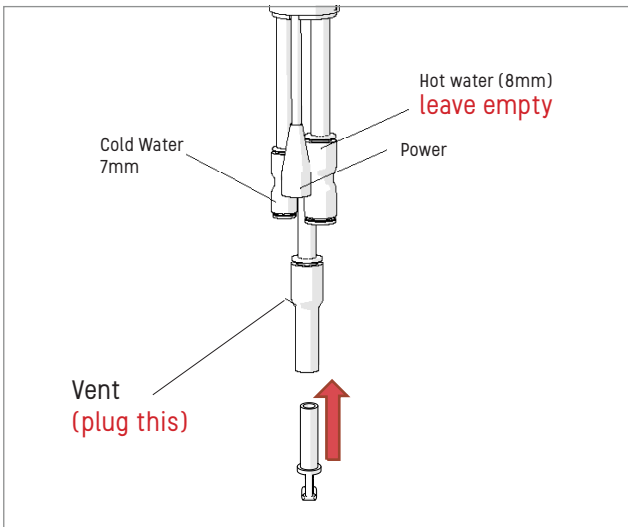
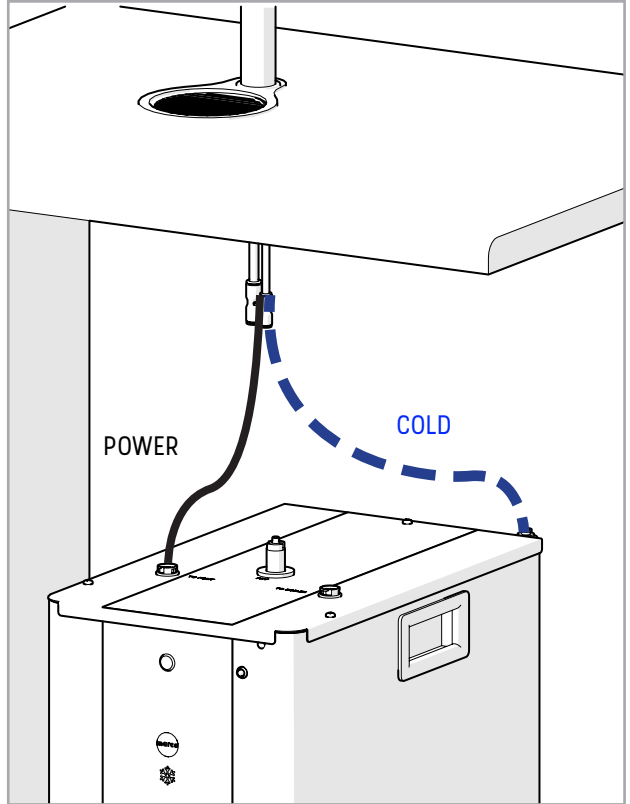
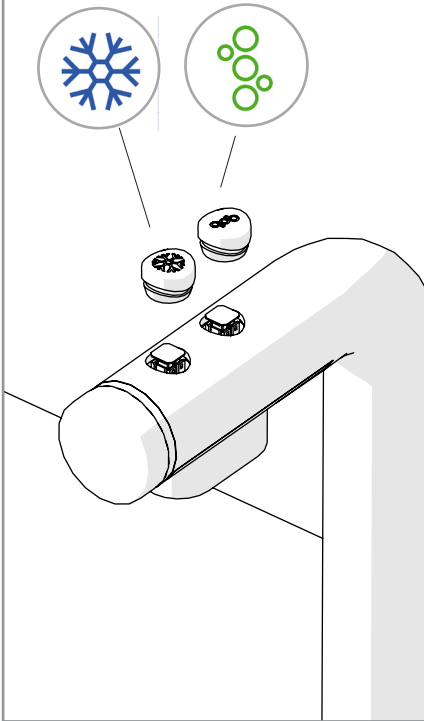


# Connecting Hoses Hot, Cold, Sparkling – 3 button Hot, Cold – 2 button



# Connecting Hoses Cold, Sparkling - 2 button

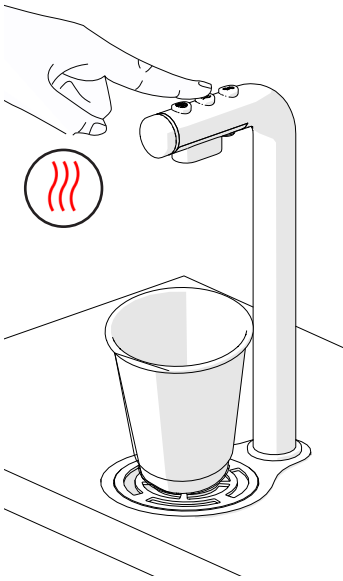
Change buttons



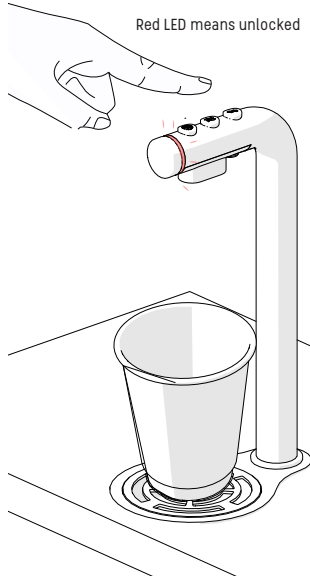
# Operating Font

## 1. HOT (safety feature)

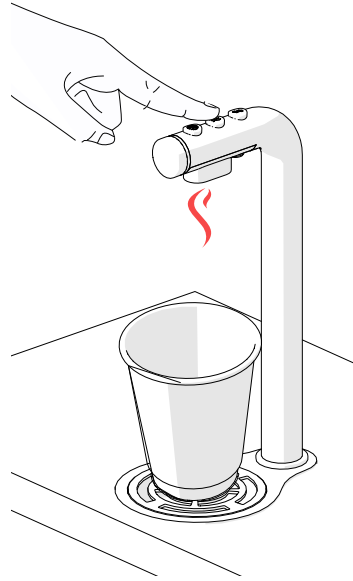
PUSH,



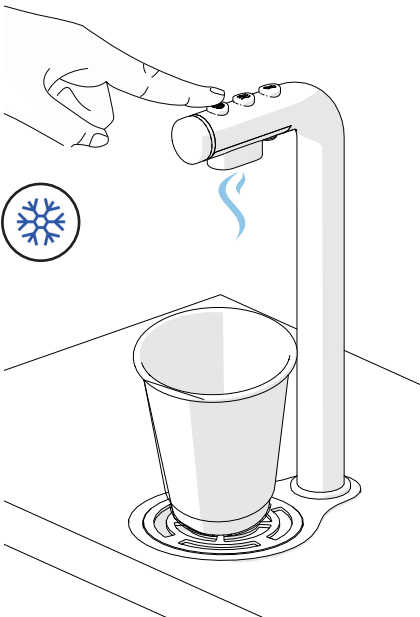
RELEASE



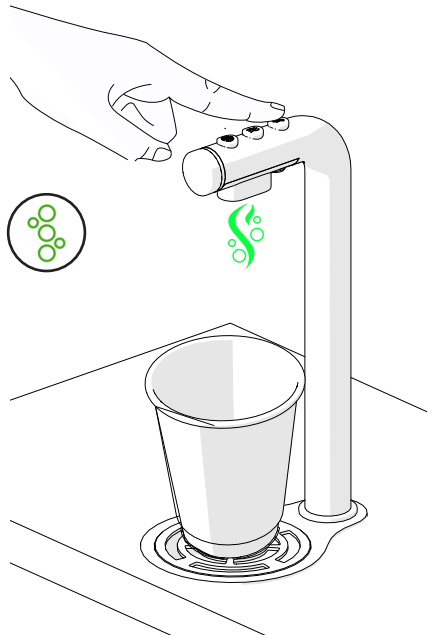
PUSH AND HOLD



## 2. COLD PUSH & HOLD



## 3. SPARKLING PUSH & HOLD



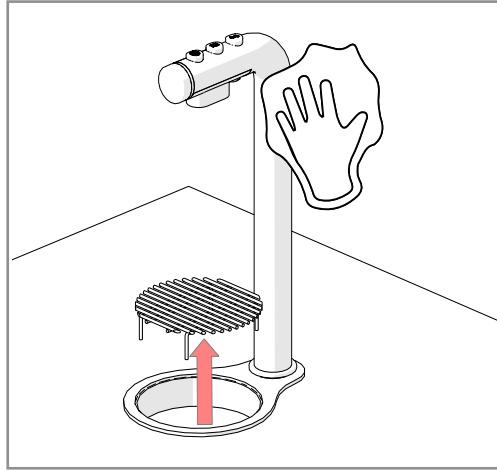


## Cleaning & Maintenance



### RISK OF SCALDING

- Turn off the boiler before cleaning to prevent accidental triggering of a dispense.
- Beware of accidentally operating the font – especially when cleaning around the push buttons.
- The exterior of the font may be cleaned with a damp cloth and a light detergent.
- Do not use abrasive cloths or creams as this will spoil the finish of the font.



Marco Beverage Systems Limited.  
63d Heather Road,  
Sandyford Industrial Estate,  
Dublin 18  
t: +353 (0)1 295 2674  
f: +353 (0)1 295 3715  
e: sales@marco.ie  
www.marco Beveragesystems.com

